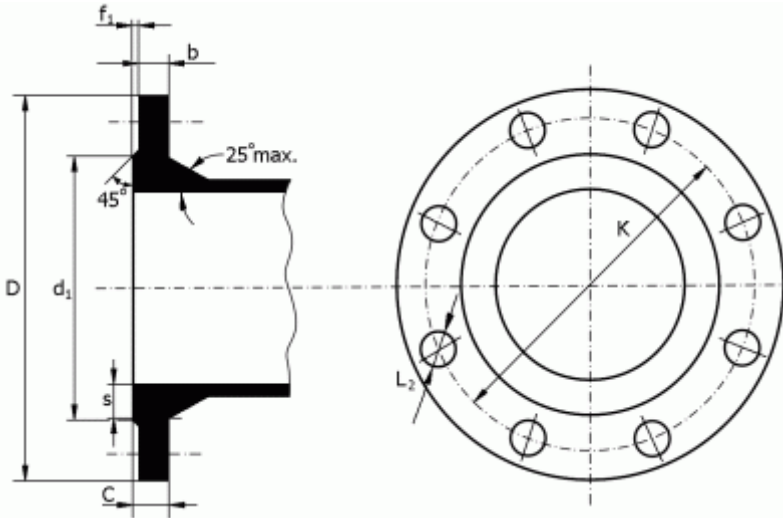




Flanged Joint



PN 10

Unit: mm

DN	D	K	d ₁	C	b	f ₁	s	Weight (kg)	Bolt holes		Bolts
									Number	Diameter L ₂	Nominal diameter
80	200	160	132	19.0	16.0	3	15.0	2.9	8	19	M16
100	220	180	156	19.0	16.0	3	15.0	3.3	8	19	M16
150	285	240	211	19.0	16.0	3	15.0	4.9	8	23	M20
200	340	295	266	20.0	17.0	3	16.0	6.8	8	23	M20
250	400	350	319	22.0	19.0	3	17.5	9.6	12	23	M20
300	455	400	370	24.5	20.5	4	19.5	12.8	12	23	M20
350	505	460	429	24.5	20.5	4	19.5	14.1	16	23	M20
400	565	515	480	24.5	20.5	4	19.5	16.3	16	28	M24
450	615	565	530	25.5	21.5	4	20.5	18.1	20	28	M24
500	670	620	582	26.5	22.5	4	21.0	21.8	20	28	M24
600	780	725	682	30.0	25.0	5	24.0	30.8	20	31	M27
700	895	840	794	32.5	27.5	5	23.0	40.5	24	31	M27
800	1015	950	901	35.0	30.0	5	24.5	54.8	24	34	M30
900	1115	1050	1001	37.5	32.5	5	26.5	64.3	28	34	M30
1000	1230	1160	1112	40.0	35.0	5	28.0	81.4	28	37	M33
1100	1340	1270	1218	42.5	37.5	5	30.0	105.0	32	37	M33
1200	1455	1380	1328	45.0	40.0	5	31.5	120.9	32	40	M36

PN 16

Unit: mm

DN	D	K	d ₁	C	b	f ₁	s	Weight (kg)	Bolt Holes		Bolts
									Number	Diameter L ₂	Nominal diameter
80	200	160	132	19.0	16.0	3	15.0	2.9	8	19	M16
100	220	180	156	19.0	16.0	3	15.0	3.3	8	19	M16
150	285	240	211	19.0	16.0	3	15.0	4.9	8	23	M20
200	340	295	266	20.0	17.0	3	16.0	6.6	12	23	M20
250	400	355	319	22.0	19.0	3	17.5	9.2	12	28	M24
300	455	410	370	24.5	20.5	4	19.5	12.4	12	28	M24
350	520	470	429	26.5	22.5	4	21.0	17.2	16	28	M24
400	580	525	480	28.0	24.0	4	22.5	21.9	16	31	M27
450	640	585	548	30.0	26.0	4	24.0	26.7	20	31	M27
500	715	650	609	31.5	27.5	4	25.0	37.0	20	34	M30
600	840	770	720	36.0	31.0	5	29.0	57.3	20	37	M33
700	910	840	794	39.5	34.5	5	27.5	55.6	24	37	M33
800	1025	950	901	43.0	38.0	5	30.0	74.0	24	40	M36
900	1125	1050	1001	46.5	41.5	5	32.5	88.2	28	40	M36
1000	1255	1170	1112	50.0	45.0	5	35.0	122.9	28	43	M39
1100	1355	1270	1218	53.5	48.5	5	37.5	141.0	32	43	M39
1200	1485	1390	1328	57.0	52.0	5	40.0	185.2	32	49	M45



SHIN NAN CASTING FACTORY CO., LTD. Unit: mm

PN 25

DN	D	K	d ₁	C	b	f ₁	s	Weight (kg)	Bolt Holes		Bolts
									Number	Diameter L ₂	Nominal diameter
80	200	160	132	19.0	16.0	3	15.0	2.9	8	19	M16
100	235	190	156	19.0	16.0	3	15.0	3.8	8	23	M20
150	300	250	211	20.0	17.0	3	16.0	5.9	8	28	M24
200	360	310	274	22.0	19.0	3	17.5	8.7	12	28	M24
250	425	370	330	24.5	21.5	3	19.5	13.1	12	31	M27
300	485	430	389	27.5	23.5	4	22.0	18.0	16	31	M27
350	555	490	448	30.0	26.0	4	24.0	25.5	16	34	M30
400	620	550	503	32.0	28.0	4	25.5	33.2	16	37	M33
450	670	600	548	34.8	30.5	4	27.5	42.2	20	37	M33
500	730	660	609	36.5	32.5	4	29.0	48.7	20	37	M33
600	845	770	720	42.0	37.0	5	33.5	71.5	20	40	M36
700	960	875	820	46.5	41.5	5	32.5	90.3	24	43	M39
800	1085	990	928	51.0	46.0	5	35.5	123.2	24	49	M45
900	1185	1090	1028	55.5	50.5	5	39.0	148.6	28	49	M45
1000	1320	1210	1140	60.0	55.0	5	42.0	200.7	28	56	M52
1100	1420	1310	1240	64.5	59.5	5	45.0	224.0	32	56	M52
1200	1530	1420	1350	69.0	64.0	5	48.5	284.7	32	56	M52

SHIN NAN CASTING FACTORY CO., LTD. Unit: mm

PN 40

DN	D	K	d ₁	C	b	f ₁	s	Weight (kg)	Bolt Holes		Bolts
									Number	Diameter L ₂	Nominal diameter
80	200	160	132	19.0	16.0	3	15.0	2.9	8	19	M16
100	235	190	156	19.0	16.0	3	15.0	3.8	8	23	M20
150	300	250	211	26.0	23.0	3	18.0	8.0	8	28	M24
200	375	320	284	30.0	27.0	3	21.0	14.0	12	31	M27
250	450	385	345	34.5	31.5	3	24.0	23.2	12	34	M30
300	515	450	409	39.5	35.5	4	27.5	33.5	16	34	M30
350	580	510	465	44.0	40.0	4	31.0	46.7	16	37	M33
400	660	585	535	48.0	44.0	4	33.5	66.9	16	40	M36
450	685	610	560	50.0	46.0	4	35.0	65.5	20	40	M36
500	755	670	615	52.0	48.0	4	36.5	82.3	20	43	M39
600	890	795	735	58.0	53.0	5	40.5	124.1	20	49	M45

SHIN NAN CASTING FACTORY CO., LTD.

SHIN NAN CASTING FACTORY CO., LTD.

SHIN NAN CASTING FACTORY CO., LTD.

SHIN NAN CASTING FACTORY CO., LTD.

SHIN NAN CASTING FACTORY CO., LTD.